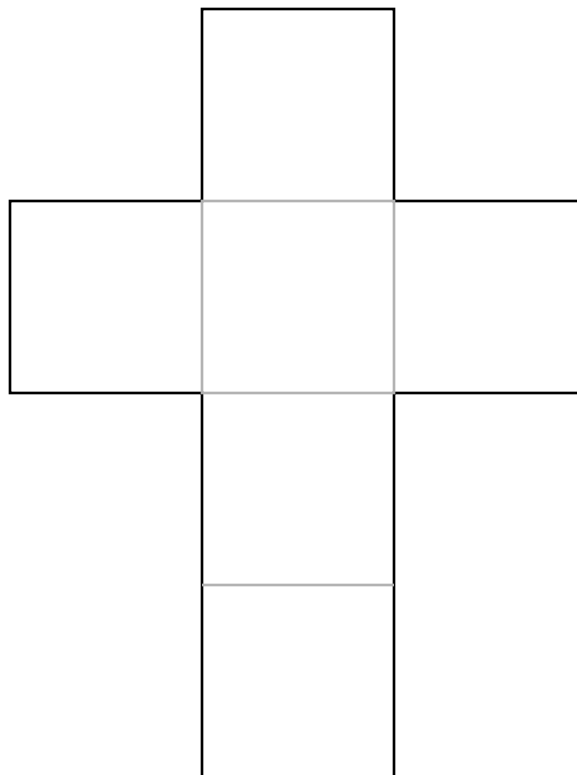


Sewing guideline

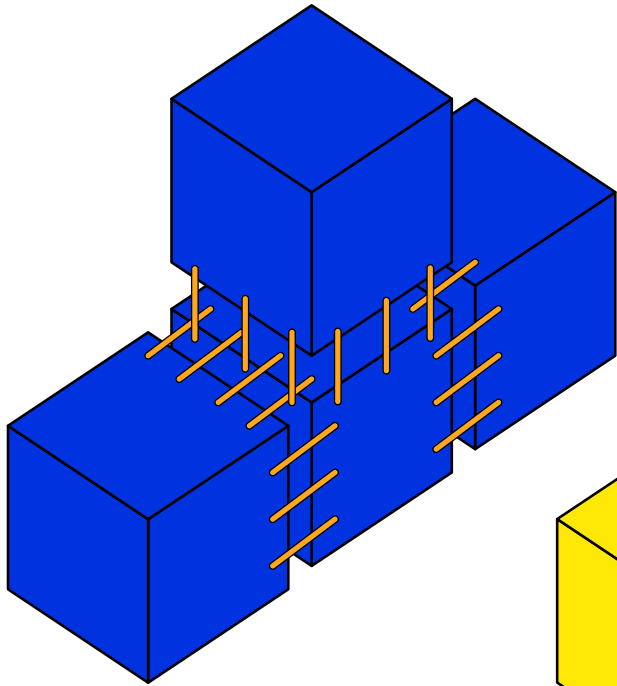


Tetris Pincushions

www.cholyknight.com

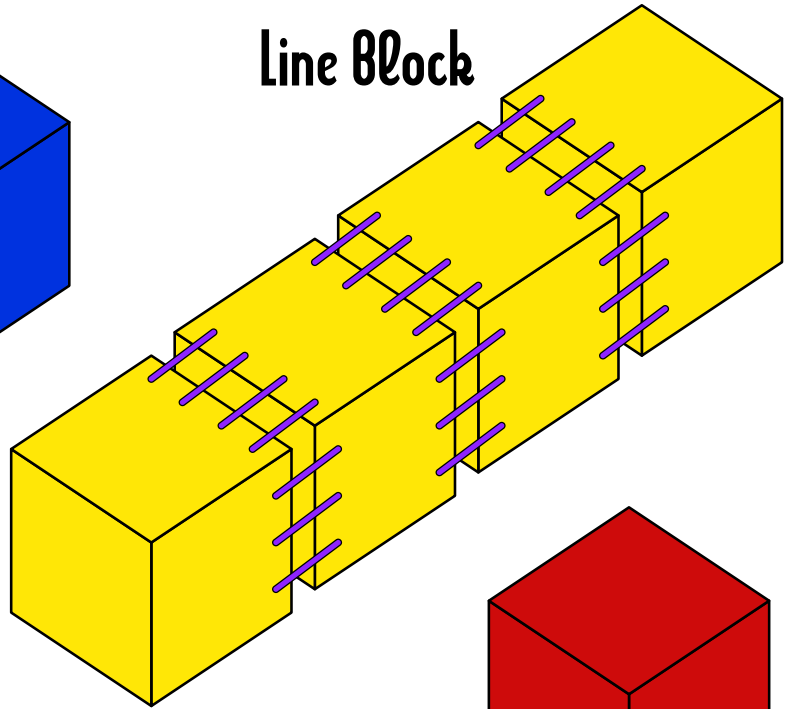
**For traditional plushies:** Cut twenty-four 4.5" x 4.5" squares

**For pillows:** Cut twenty-four 10" x 10" squares

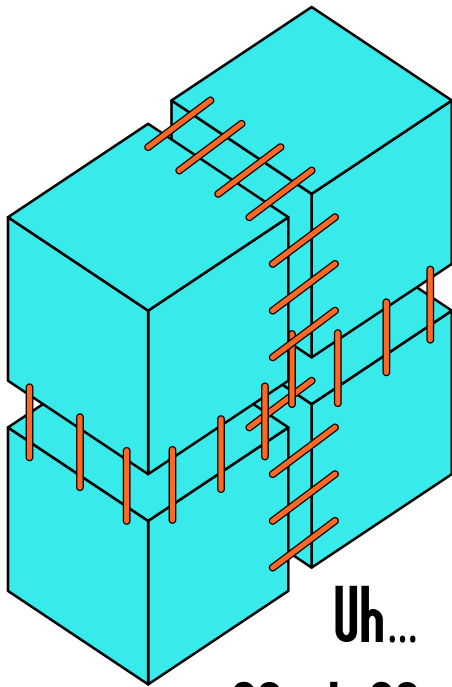
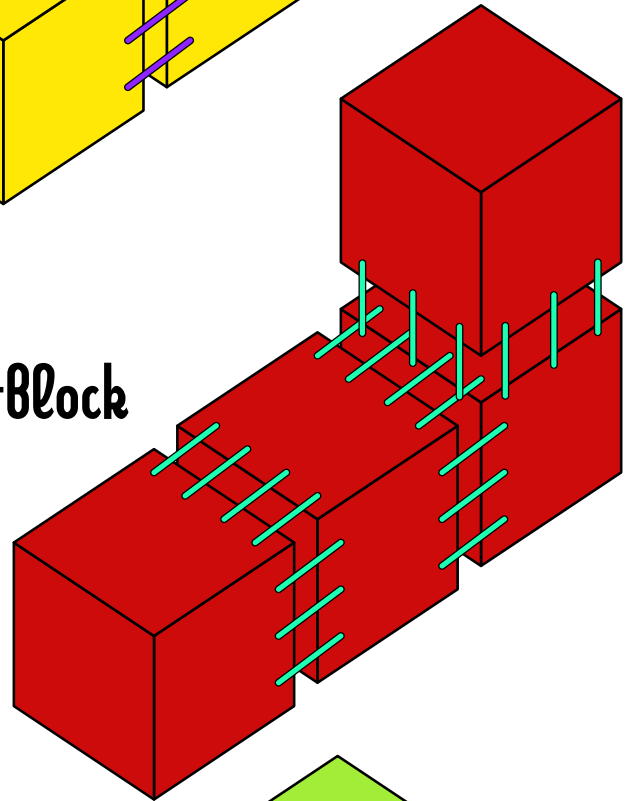


T-Block

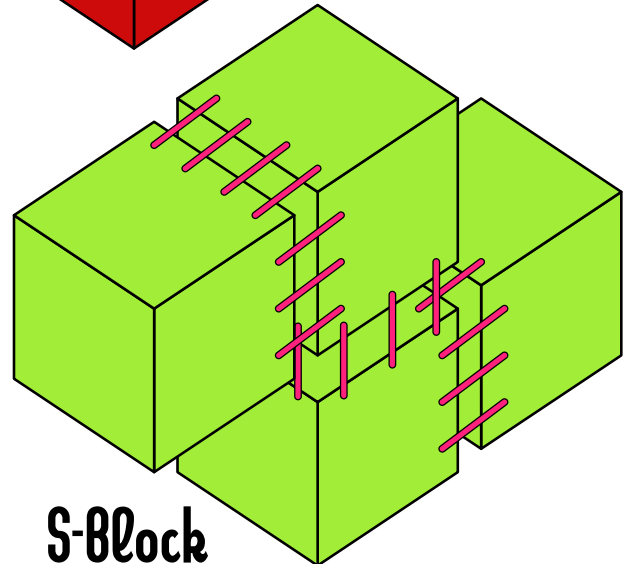
Line Block



L-Block



Uh...  
Block-Block?



S-Block